



PL4/ESP

4 INPUTS

EXTENSION MODULE

FOR ST.PL4

SENSITRON S.r.l. Viale della Repubblica, 48
20010 CORNAREDO MI - ITALY
Tel: 02/93548155 Fax: 02/93548089
<http://www.sensitron.it> e-mail: sales@sensitron.it



FOREWORDS

The central unit for gas detection PL4 can manage, in the base configuration, up to 4 detectors having a proportional 4-20mA, and can be upgraded up to 8 by adding an optional module ST.PL4/ESP.

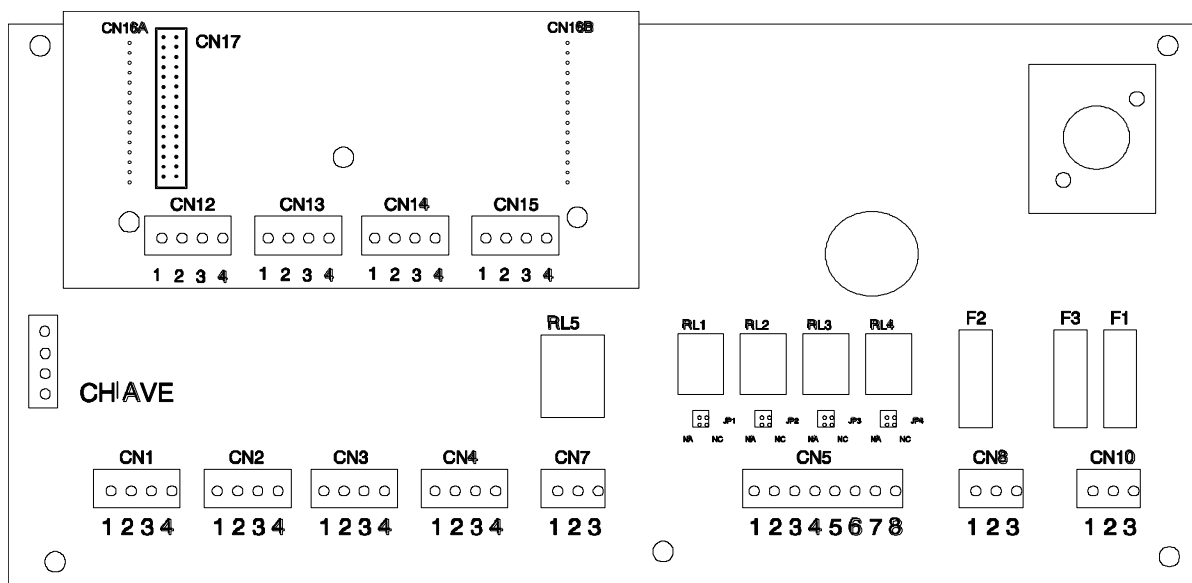
By adding the ST.PL4/ESP module, apart from the supplementary 4 inputs, the user has 16 supplementary outputs, open collector type in negative safety, associated to AL2 and AL3 for all of the 8 inputs.

Mechanical fixing

Turn the central unit off, open the front panel and fix the extension board to the connectors as per the figure here below, by means of the endowed plastic spacers.

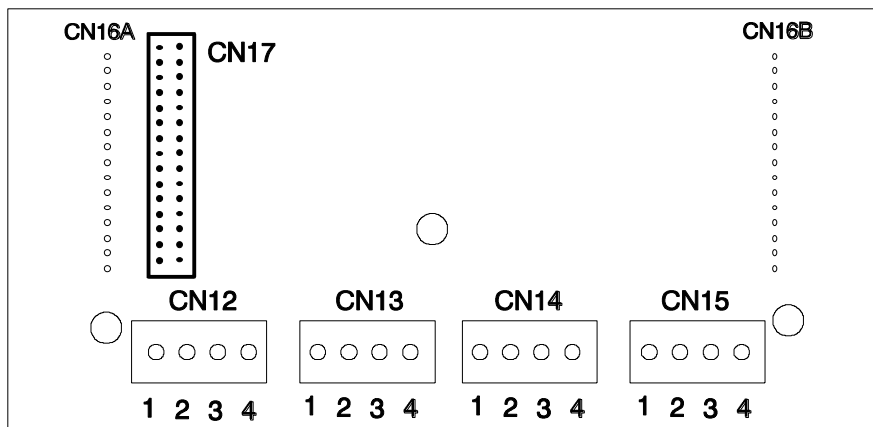
CN8A-CN8B are pin headers connectors for the 4 in 16 out module. Be careful in inserting this connector, in particular that all pins are correctly plugged. On connector CN8A insert the extension module connector CN16A, and on the CN8B insert the extension module connector CN16B.

EXTENSION MODULE PL4/ESP





Extension module



CN12, CN 13, CN 14, CN15 are the detectors terminal boards. In details CN12 (zone 5), CN 13 (zone 6), CN 14 (zone 7) and CN 15 (zone 8).

On connector CN 17 are present the following 16 open collector output signals:

Connector CN 17			
Pin	2nd threshold	Pin	3rd threshold
3	Zone 1 Alarm 2	4	Zone 1 Alarm 3
5	Zone 2 Alarm 2	6	Zone 2 Alarm 3
7	Zone 3 Alarm 2	8	Zone 3 alarm 3
9	Zone 4 Alarm 2	10	Zone 4 Alarm 3
11	Zone 5 Alarm 2	12	Zone 5 Alarm 3
13	Zone 6 Alarm 2	14	Zone 6 Alarm 3
15	Zone 7 Alarm 2	16	Zone 7 Alarm 3
17	Zone 8 Alarm 2	18	Zone 8 Alarm 3
1-2	Protection diodes	19-20	-V common power supply

N.B.: The output current of each Open Collector is 20mA MAX

-Any load is to be powered between 12 and 24V

-Pins 19-20 belong to the common power supply (-V) and are to be connected to the negative pole of the external power supply employed to activate all loads connected to the open collectors.

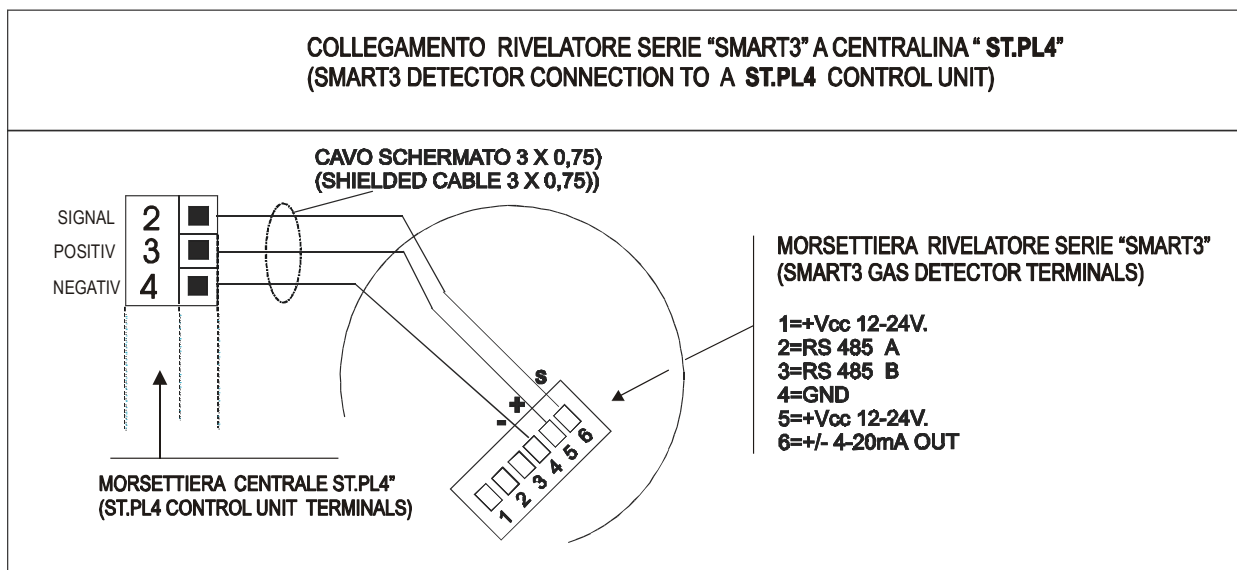
-Pins 1-2 are to be connected to the positive pole of the external power supply. To these pins inductive loads protection diodes are connected.



Detectors connection

The extension module can be connected to up to 4 detectors having a proportional 4-20mA signal. Connect one single detector to each input.

The detector must be connected to the extension module with a 3x0.75 mm shielded cable. The screen is to be connected to the ground on the central unit side. Maximum distance between the detector and the control unit does not have to exceed 100 m. The figure shows a connection to anyone of the 4 connectors on the extension module (CN12-13-14-15). For the connection of any other kind of detector, please refer to the technical handbook of PL4.



Control unit switching on.

At this point, once all connections have been duly checked it is possible to power the control unit again. Be sure that any detectors are powered with at least 12Vdc.

About programming please note that the starting configuration, without the extension module, considered as activated only the 4 channels inside the PL4 central unit. In programming mode it is therefore necessary to enable channels No. 5, 6, 7 e 8 (or only the employed ones) and then program all parameters for each of them.

Due to Sensitron S.r.l. commitment to research, design and product improvement, specifications are subject to change without notice.



For further information:

Sensitron S.r.l. MILANO - ITALY	Tel. 0039 - 02 - 935.48.155 Fax: 0039 - 02 - 935.48.089
---	--